

Model Number: P830668
Product Line: Peerless Gold

Revision: Rev 2_0
Date: 29-May-12

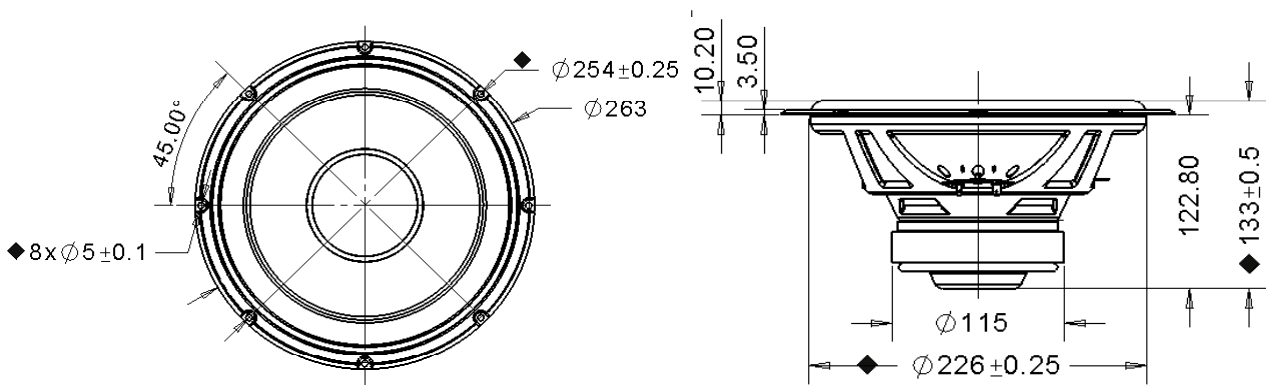


Product Description:

The SLS line combines high quality performance with an affordable design. This 10 inch 8 ohm member of the SLS family features a rigid steel basket, a coated paper cone, and a ferrite magnet motor with aluminium shorting ring for improved distortion performance.



Mechanical 2D Drawing:



Specifications:

DC Resistance	R_{evc}	Ω	5.6	$\pm 7.5\%$	Energy Bandwidth Product	EBP	$(1/Q_{es}) \cdot f_s$	54
Minimum Impedance	Z_{min}	Ω	7.3	$\pm 7.5\%$	Moving Mass	M_{ms}	g	56.28
Voice Coil Inductance	L_e	mH	1.37		Suspension Compliance	C_{ms}	um/N	429.0
Resonant Frequency	f_s	Hz	32	$\pm 15\%$	Effective Cone Diameter	D	cm	21.0
Mechanical Q Factor	Q_{ms}	-	7.1		Effective Piston Area	S_D	cm ²	346.4
Electrical Q Factor	Q_{es}	-	0.59		Equivalent Volume	V_{as}	L	72.904
Total Q Factor	Q_{ts}	-	0.55		Motor Force Factor	BL	T-m	10.42
Ratio f_s / Q_{ts}	F	f_s / Q_{ts}	59		Motor Efficiency Factor	β	$(T \cdot m^2) / \Omega$	19.35
Half Space Sensitivity @ 2.83V	dB@2.83V/1m	dB	87.9	$\pm 1.0^1$	Voice Coil Former Material	VC _m	-	GSV
Sensitivity @ 1W/1m	1W/1m	dB	86.4	$\pm 1.0^1$	Voice Coil Inner Diameter	VC _d	mm	38.4
Rated Noise Power (IEC 2685 18.1)	P	W	70		Gap Height	Gh	mm	8.0
Test Spectrum Bandwidth	30Hz-2KHz	12 dB/Oct			Maximum Linear Excursion	X_{max}	mm	8.3
					Ferrofluid Type	FF	-	N/A
					Transducer Size	-	-	10 inch
					Transducer Mass	-	Kg	2.70

1 - Piston Band Sensitivity Tolerance

Frequency and Impedance Response:

